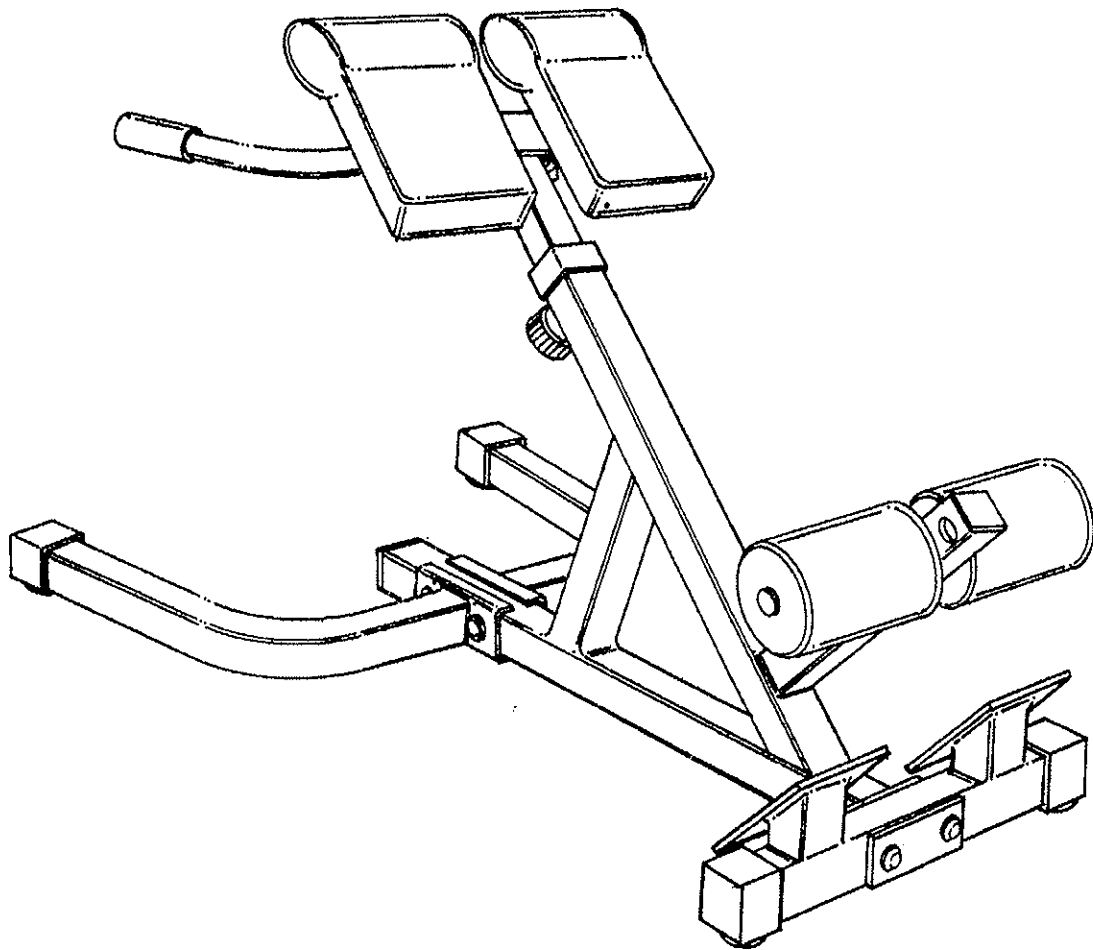




**MONTERINGSANVISNING
FOR
SPORT SUPPLY RYGGTRENER**

ART. NR.728 045



ASSEMBLY INSTRUCTIONS

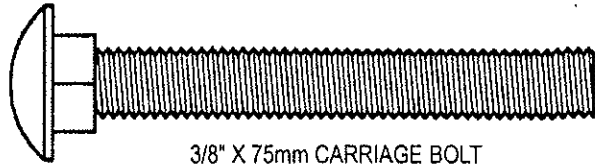
IMPORTANT –

This bench should be assembled finger tight in the beginning to allow for proper alignment.

- THIS BENCH IS FITTED WITH NYLOCK NUTS FOR SAFETY.
(THE CAN ONLY BE TIGHTENED OR LOSSEMED WITH TOOLS)
- FASTEN BENCH TOGETHER WITH THE BOLTS LOOSE.
FULLY TIGHTEN ALL BOLTS **AFTER** THE WHOLE BENCH HAS BEEN ASSEMBLED.

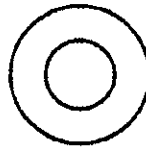
1

B.



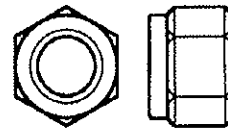
X2

3/8" X 75mm CARRIAGE BOLT



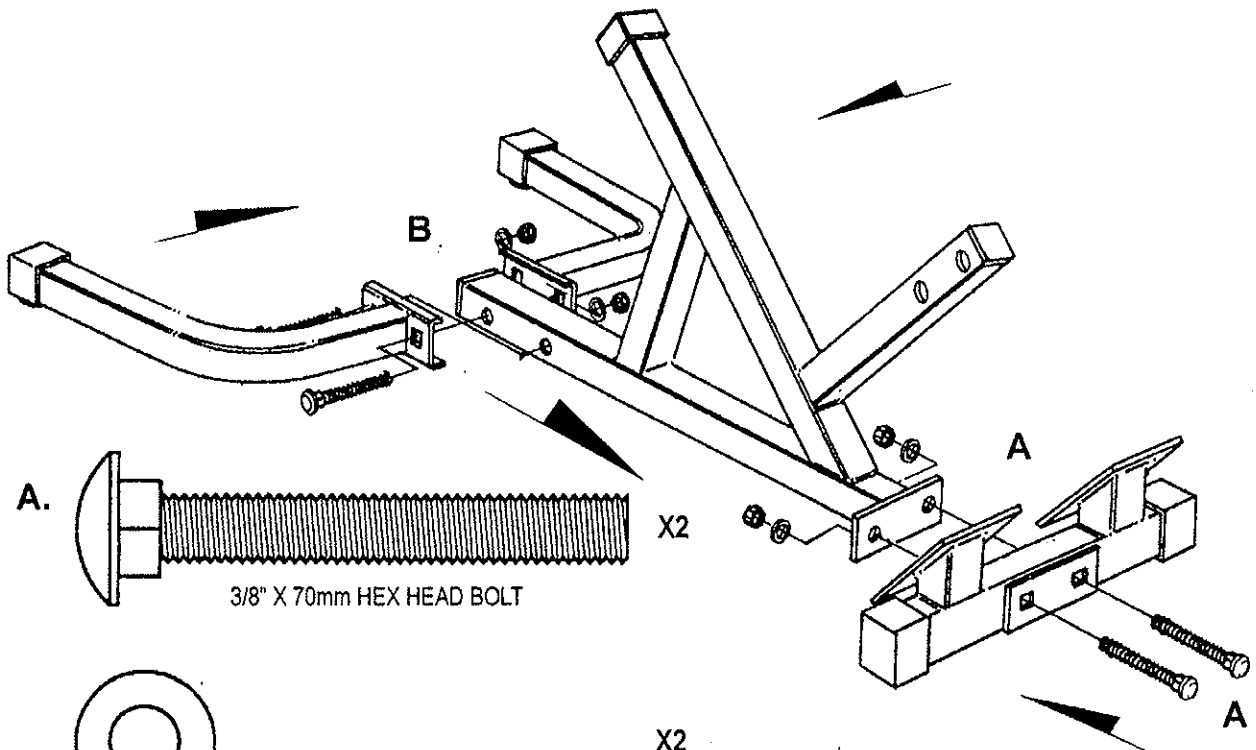
X2

3/8" X 19mm X 2mm WASHER

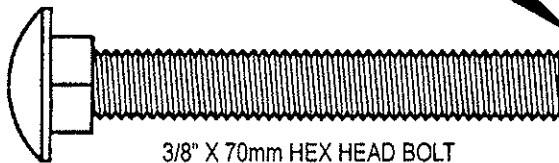


X2

3/8" LOCKNUT

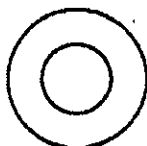


A.



X2

3/8" X 70mm HEX HEAD BOLT



X2

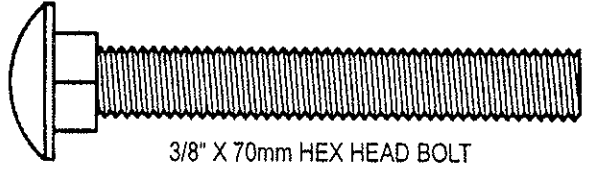
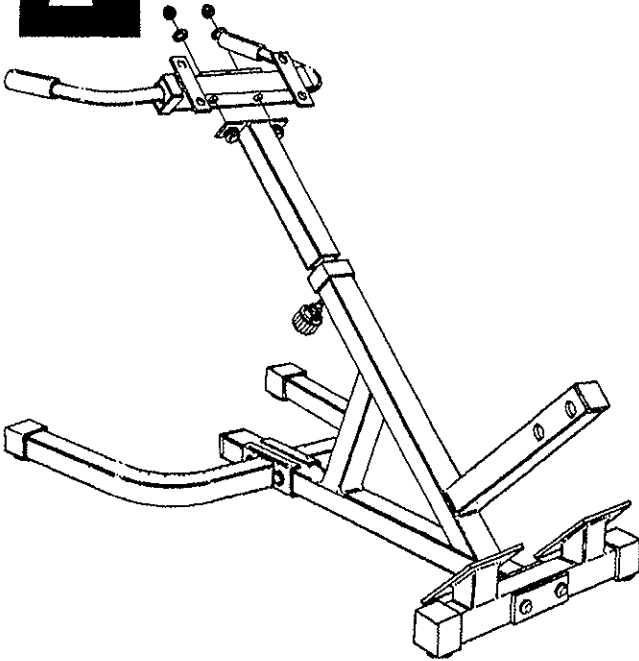
3/8" X 19mm X 2mm WASHER



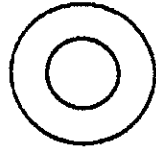
X2

3/8" NYLOCK NUT

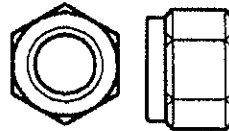
2



X2



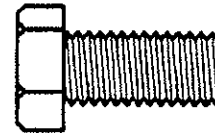
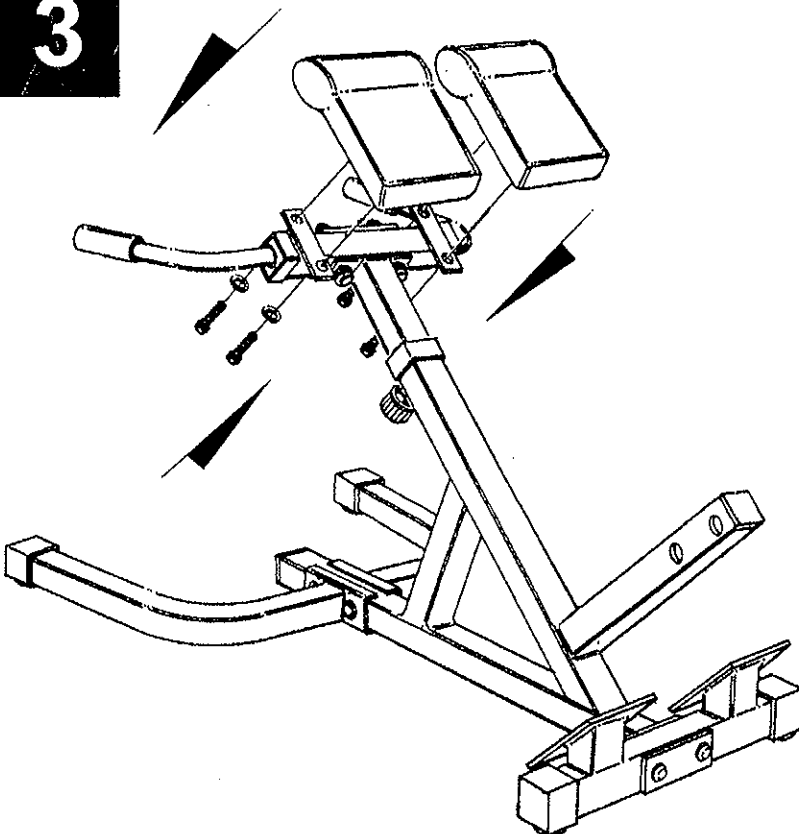
X2



X2

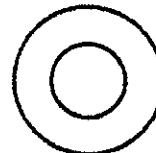
3/8" NYLOCK NUT

3



X4

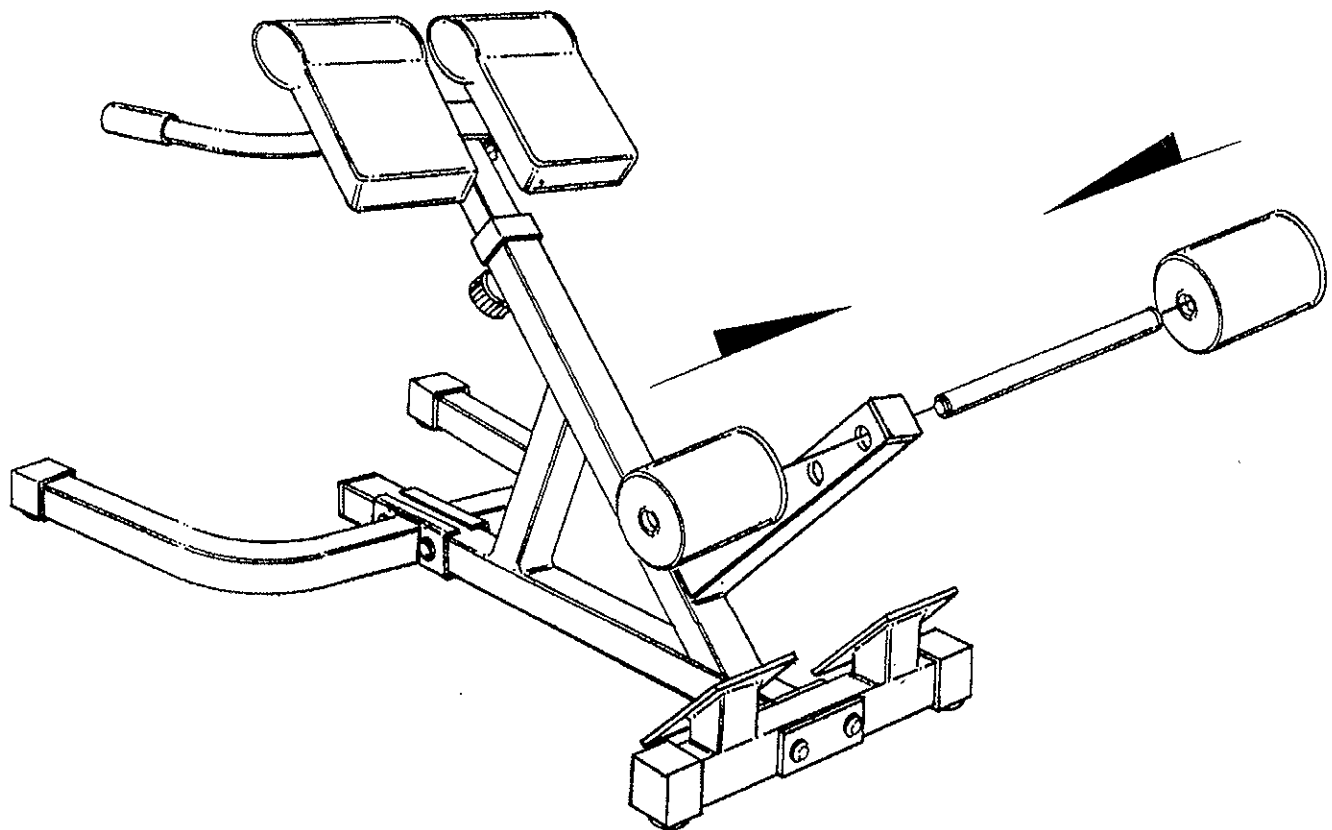
3/8" X 20mm HEX HEAD BOLT

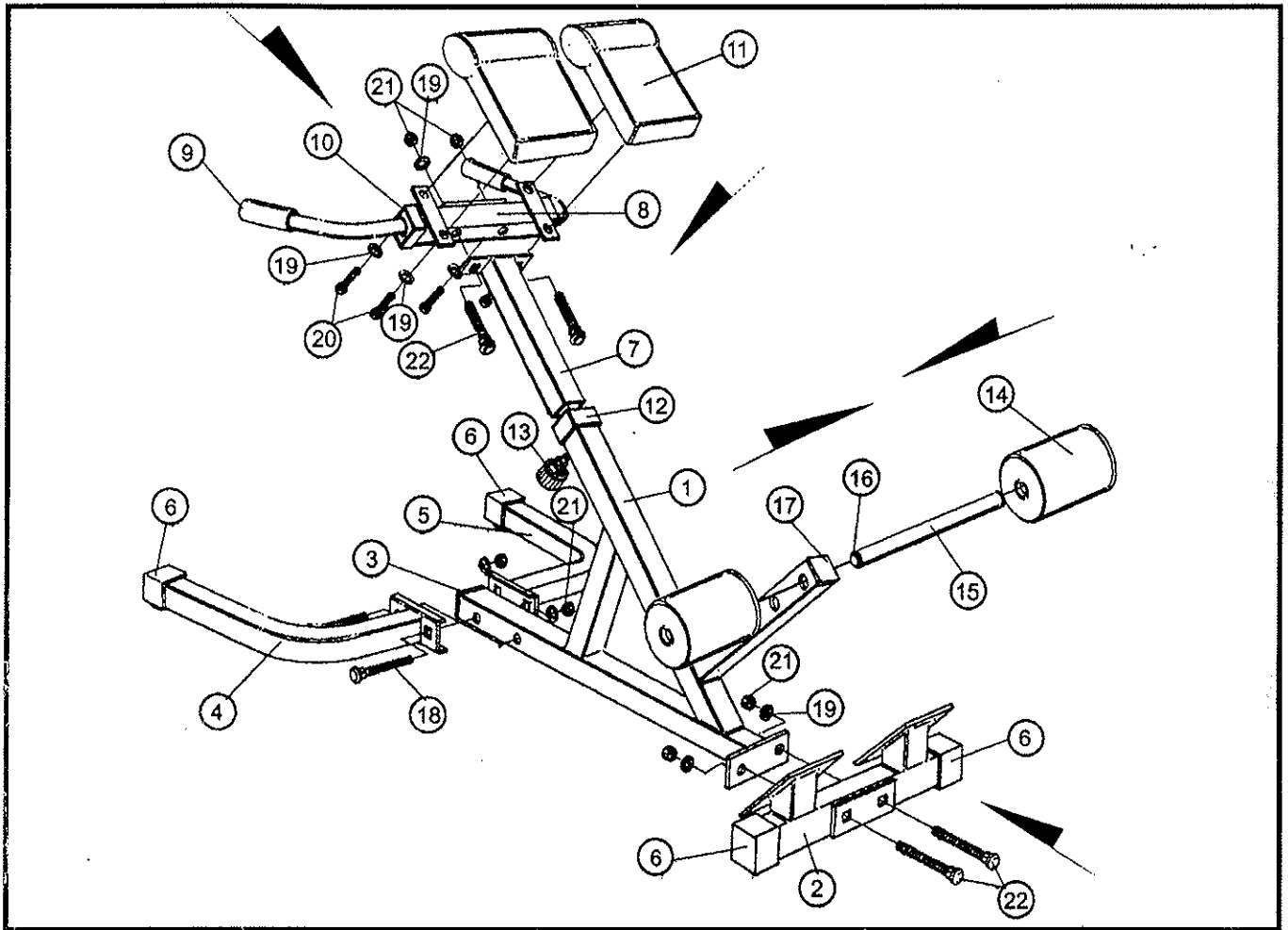


X4

3/8" X 19mm X 2mm WASHER

4





PARTS LIST :

NO.	PART NO.	Q'TY	DESCRIPTION
1	#8117-01	1	MAIN FRAME
2	#8117-02	1	FOOT REST
3	#8117-03	1	2" SQUARE INT. END CAP
4	#8117-04	1	LEFT FRONT STABILIZER
5	#8117-05	1	RIGHT FRONT STABILIZER
6	#8117-06	4	2" SQ. EXTERNAL CAP
7	#8117-07	1	ADJUSTABLE HEIGHT POST
8	#8117-08	1	FRONT HANDLE ASSEMBLY
9	#8117-09	2	HAND GRIP
10	#8117-10	2	SQ. REDUCER CAP W/ROUND HOLE
11	#8117-11	2	BENCH UPHOLSTERY
12	#8117-12	1	SQUARE REDUCER CAP
13	#8117-13	1	QUICK RELEASED ADJ. KNOB
14	#8117-14	2	DIABLO NOMAPAD
15	#8117-15	1	LEG FOAM TUBE
16	#8117-16	2	1" END CAP
17	#8117-17	1	38mm SQ. INT. END CAP
18	#8117-18	2	3/8" X 75mm CARRIAGE BOLT
19	#8117-19	10	3/8" X 19mm X 2mm WASHER
20	#8117-20	4	3/8" X 1" HEX HEAD BOLT
21	#8117-21	6	3/8" NYLOCK NUT (THICK)
22	#8117-22	4	3/8" X 70mm CARRIAGE BOLT